

»Invisible protection for every application«

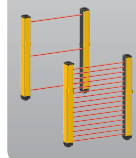
- ▶ Type 4 according to EN IEC 61496-1
- ▶ Safe monitoring options for any application
- ▶ Simple connection
- ▶ Integrated evaluation
- ▶ Feedback loop connection
- ▶ PL e/category 4 according to EN ISO 13849-1
- ▶ SIL 3 according to EN IEC 62061

LCA

4



LCA 4



LCA 4

Light grid LCA-4TR-.B-... (2 ... 4 beams)



- ▶ **Number of beams: 2 ... 4 beams**
- ▶ **Protective function: access control**
- ▶ **Securing danger areas**
- ▶ **Range 12 m/20 m**

Details

- ▶ Degree of protection IP65 and IP67
- ▶ Two safety outputs (OSSD)
- ▶ Plug connector M12
- ▶ Profile size 28 x 30 mm

Notice

- ▶ The operation mode is dependent on the results of the risk analysis.
- ▶ **Category according to EN ISO 13849-1**
2 semiconductor outputs, p-switching, short circuit-proof, suitable for:
PL e/category 4 according to EN ISO 13849-1
Each safety path is independently safe.
- ▶ ESPE type 4 according to DIN EN 61496-1

Further information

- ▶ Dimension drawings see p. 25
- ▶ Accessories and spare parts see p. 54

Ordering table

Series	Plug connector	Resolution/ beams	Max. range	Reaction time [ms]	Protective field height [mm]	Order No./item	
LCA-4TR-.B-...	Transmitter M12, 5-pin	2	12 m	2.5	510	156584 LCA-4TR-2B-510-AP	For detailed information, enter the order number for the product in the search box at www.euchner.com .
		3		3	810	156585 LCA-4TR-3B-810-AP	
		4		3	910	156586 LCA-4TR-4B-910-AP	
	Receiver M12, 8-pin	2	20 m	2.5	510	156587 LCA-4TR-2B-510-AP	
		3		2.5	810	156588 LCA-4TR-3B-810-AP	
		4		2.5	910	156589 LCA-4TR-4B-910-AP	

Dimension drawing

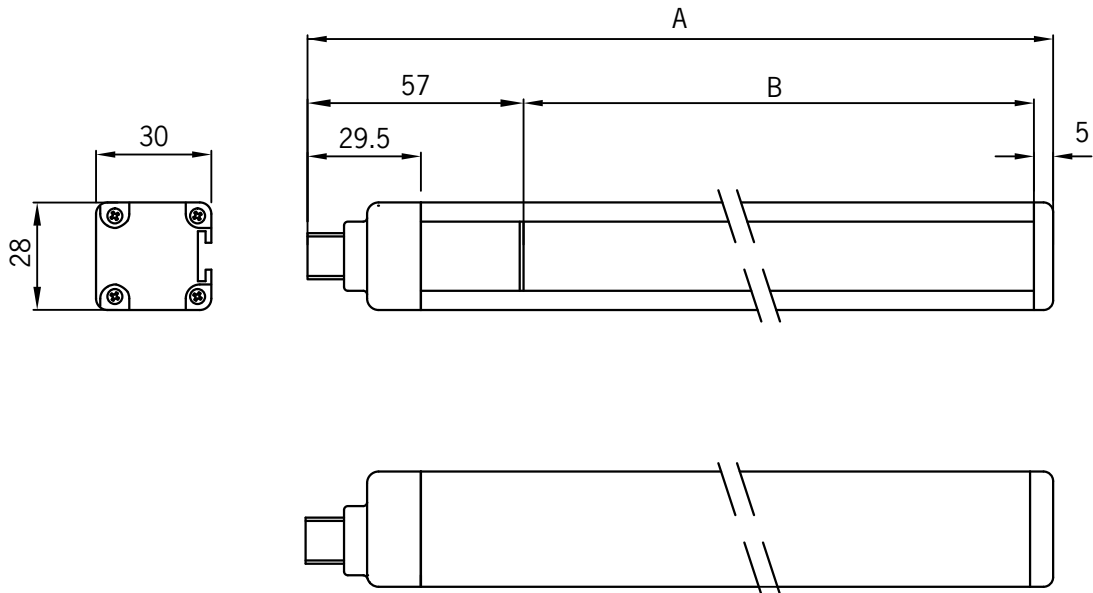


Table 5: Dimensions transmitter and receiver models LCA 2 2B, LCA 2 3B and LCA 2 4B

Height	Model		
	2B	3B	4B
A (Standard)	653	953	1053
B*	510	810	910
Mounting	2 holders AM-OS-B-A1 with 2 inserts		

B* = Distance display label to protective cap

Light curtains LCA-4TR-50-... (50 mm)



- ▶ **Resolution 50 mm**
- ▶ **Protective function: body protection (arms/legs)**
- ▶ **Range 12 m/20 m**

Details

- ▶ Degree of protection IP65 and IP67
- ▶ Two safety outputs (OSSD)
- ▶ Plug connector M12
- ▶ Profile size 28 x 30 mm

Notice


- ▶ The operation mode is dependent on the results of the risk analysis.
- ▶ **Category according to EN ISO 13849-1**
2 semiconductor outputs, p-switching, short circuit-proof, suitable for:
PL e/category 4 according to EN ISO 13849-1
Each safety path is independently safe.
- ▶ ESPE type 4 according to DIN EN 61496-1

Further information

- ▶ Dimension drawings see p. 28
- ▶ Accessories and spare parts see p. 54

Ordering table

Series	Plug connector	Resolution/ beams	Max. range	Reaction time [ms]	Protective field height [mm]	Order No./item	
LCA-4TR-50-...	Transmitter M12, 5-pin Receiver M12, 8-pin	50 mm	12 m	3	160	156560 LCA-4TR-50-160-AP	For detailed information, enter the order number for the product in the search box at www.euchner.com .
				4	310	156561 LCA-4TR-50-310-AP	
				4.5	460	156562 LCA-4TR-50-460-AP	
				5.5	610	156562 LCA-4TR-50-610-AP	
				6.5	760	156564 LCA-4TR-50-760-AP	
				7.5	910	156565 LCA-4TR-50-910-AP	
				8.5	1060	156566 LCA-4TR-50-1060-AP	
				9	1210	156567 LCA-4TR-50-1210-AP	
				10	1360	156568 LCA-4TR-50-1360-AP	
				11	1510	156569 LCA-4TR-50-1510-AP	
				12	1660	156570 LCA-4TR-50-1660-AP	
				13	1810	156571 LCA-4TR-50-1810-AP	

Series	Plug connector	Resolution/ beams	Max. range	Reaction time [ms]	Protective field height [mm]	Order No./item	
LCA-4TR-50-...	Transmitter M12, 5-pin Receiver M12, 8-pin	50 mm	20 m	2.5	160	156572 LCA-4TR-50-160-AP	For detailed information, enter the order number for the product in the search box at www.euchner.com .
				3	310	156573 LCA-4TR-50-310-AP	
				3.5	460	156574 LCA-4TR-50-460-AP	
				4	610	156575 LCA-4TR-50-610-AP	
				4.5	760	156576 LCA-4TR-50-760-AP	
				5	910	156577 LCA-4TR-50-910-AP	
				5.5	1060	156578 LCA-4TR-50-1060-AP	
				6	1210	156579 LCA-4TR-50-1210-AP	
				6.5	1360	156580 LCA-4TR-50-1360-AP	
				7	1510	156581 LCA-4TR-50-1510-AP	
				7	1660	156582 LCA-4TR-50-1660-AP	
				8	1810	156583 LCA-4TR-50-1810-AP	

Dimension drawing

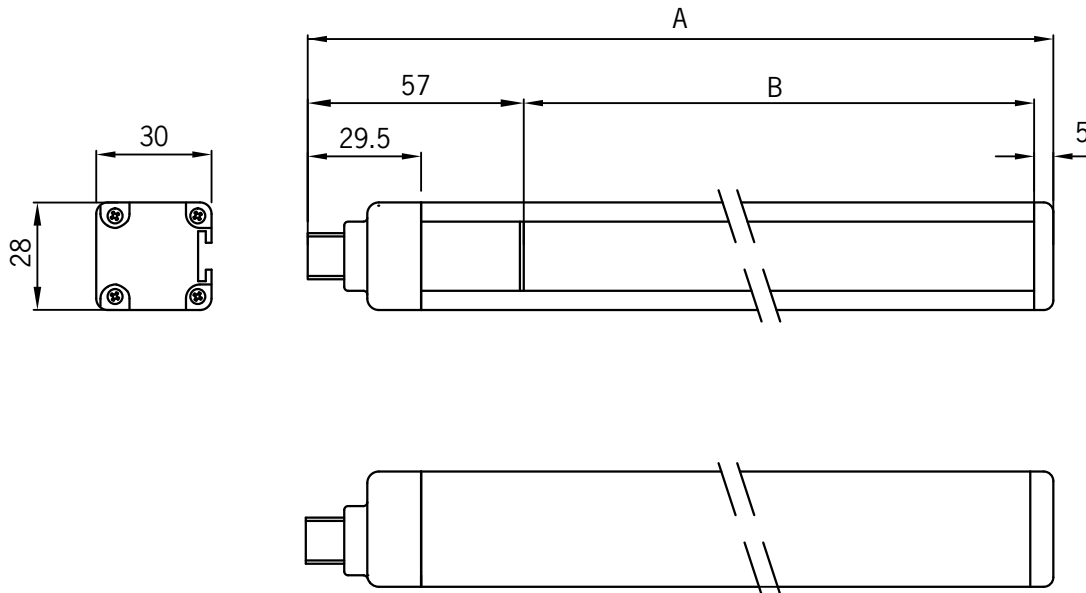


Table 6: Dimensions transmitter and receiver

Height	Model											
	160	310	460	610	760	910	1060	1210	1360	1510	1660	1810
A (Standard)	213	363	513	663	813	963	1113	1263	1413	1563	1713	1863
B*	150	300	450	600	750	900	1050	1200	1350	1500	1650	1800
Mounting	2 holders AM-OS-B-A1 with 2 inserts						3 holders AM-OS-B-A1 with 3 inserts					

B* = Distance display label to protective cap

Light curtains LCA-4TR-40-... (40 mm)



- ▶ Resolution 40 mm
- ▶ Protective function: hand protection
- ▶ Range 12 m/20 m

Details

- ▶ Degree of protection IP65 and IP67
- ▶ Two safety outputs (OSSD)
- ▶ Plug connector M12
- ▶ Profile size 28 x 30 mm

Notice


- ▶ The operation mode is dependent on the results of the risk analysis.
- ▶ **Category according to EN ISO 13849-1**
2 semiconductor outputs, p-switching, short circuit-proof, suitable for:
PL e/category 4 according to EN ISO 13849-1
Each safety path is independently safe.
- ▶ ESPE type 4 according to DIN EN 61496-1

Further information

- ▶ Dimension drawings see p. 32
- ▶ Accessories and spare parts see p. 54

Ordering table

Series	Plug connector	Resolution/ beams	Max. range	Reaction time [ms]	Protective field height [mm]	Order No./item	
LCA-4TR-40-...	Transmitter M12, 5-pin Receiver M12, 8-pin	40 mm	12 m	3.5	160	156536 LCA-4TR-40-160-AP	For detailed information, enter the order number for the product in the search box at www.euchner.com .
				4.5	310	156537 LCA-4TR-40-310-AP	
				5.5	460	156538 LCA-4TR-40-460-AP	
				7	610	156539 LCA-4TR-40-610-AP	
				8	760	156540 LCA-4TR-40-760-AP	
				9	910	156541 LCA-4TR-40-910-AP	
				10	1060	156542 LCA-4TR-40-1060-AP	
				11	1210	156543 LCA-4TR-40-1210-AP	
				12.5	1360	156544 LCA-4TR-40-1360-AP	
				13.5	1510	156545 LCA-4TR-40-1510-AP	
				14.5	1660	156546 LCA-4TR-40-1660-AP	
15.5	1810	156547 LCA-4TR-40-1810-AP					

Series	Plug connector	Resolution/ beams	Max. range	Reaction time [ms]	Protective field height [mm]	Order No./item	
LCA-4TR-40-...	Transmitter M12, 5-pin Receiver M12, 8-pin	40 mm	20 m	3	160	156548 LCA-4TR-40-160-AP	For detailed information, enter the order number for the product in the search box at www.euchner.com .
				3.5	310	156549 LCA-4TR-40-310-AP	
				4	460	156550 LCA-4TR-40-460-AP	
				4.5	610	156551 LCA-4TR-40-610-AP	
				5	760	156552 LCA-4TR-40-760-AP	
				6	910	156553 LCA-4TR-40-910-AP	
				6.5	1060	156554 LCA-4TR-40-1060-AP	
				7	1210	156555 LCA-4TR-40-1210-AP	
				7.5	1360	156556 LCA-4TR-40-1360-AP	
				8	1510	156557 LCA-4TR-40-1510-AP	
				8.5	1660	156558 LCA-4TR-40-1660-AP	
9.5	1810	156559 LCA-4TR-40-1810-AP					

Dimension drawing

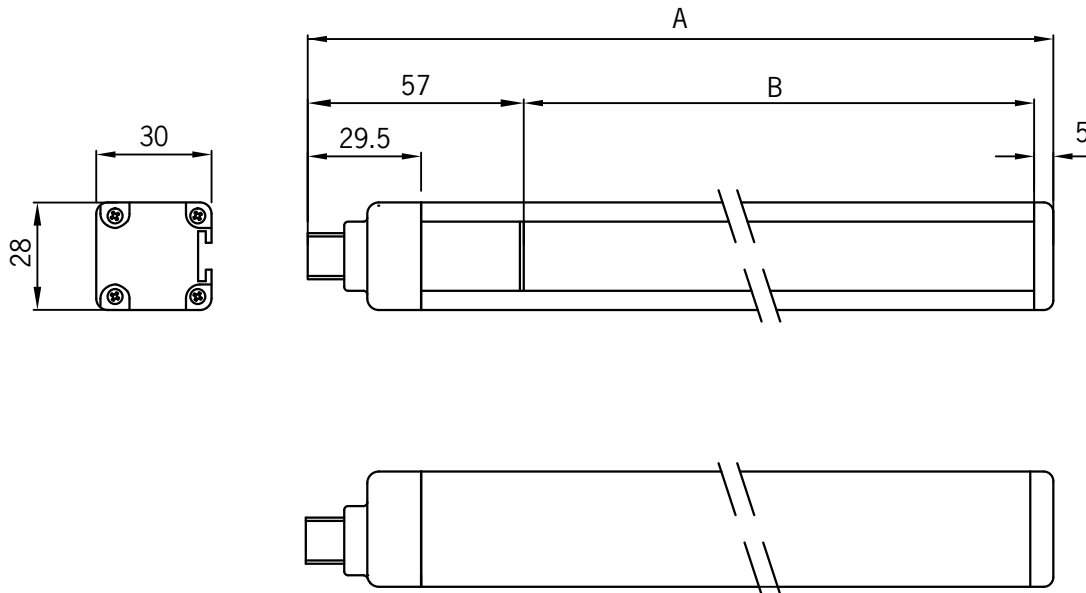


Table 7: Dimensions transmitter and receiver

Height	Model											
	160	310	460	610	760	910	1060	1210	1360	1510	1660	1810
A (Standard)	213	363	513	663	813	963	1113	1263	1413	1563	1713	1863
B*	150	300	450	600	750	900	1050	1200	1350	1500	1650	1800
Mounting	2 holders AM-OS-B-A1 with 2 inserts						3 holders AM-OS-B-A1 with 3 inserts					

B* = Distance display label to protective cap

Light curtains LCA-4TR-30-... (30 mm)



- ▶ Resolution 30 mm
- ▶ Protective function: hand protection
- ▶ Range 12 m/20 m

Details

- ▶ Degree of protection IP65 and IP67
- ▶ Two safety outputs (OSSD)
- ▶ Plug connector M12
- ▶ Profile size 28 x 30 mm

Notice

- ▶ The operation mode is dependent on the results of the risk analysis.
- ▶ **Category according to EN ISO 13849-1**
2 semiconductor outputs, p-switching, short circuit-proof, suitable for:
PL e/category 4 according to EN ISO 13849-1
Each safety path is independently safe.
- ▶ ESPE type 4 according to DIN EN 61496-1

Further information

- ▶ Dimension drawings see p. 36
- ▶ Accessories and spare parts see p. 54

Ordering table

Series	Plug connector	Resolution/ beams	Max. range	Reaction time [ms]	Protective field height [mm]	Order No./item	
LCA-4TR-30-...	Transmitter M12, 5-pin Receiver M12, 8-pin	30 mm	12 m	4	160	156512 LCA-4TR-30-160-AP	For detailed information, enter the order number for the product in the search box at www.euchner.com .
				5.5	310	156513 LCA-4TR-30-310-AP	
				7.5	460	156514 LCA-4TR-30-460-AP	
				9	610	156515 LCA-4TR-30-610-AP	
				10.5	760	156516 LCA-4TR-30-760-AP	
				12.5	910	156517 LCA-4TR-30-910-AP	
				14	1060	156518 LCA-4TR-30-1060-AP	
				15.5	1210	156519 LCA-4TR-30-1210-AP	
				17	1360	156520 LCA-4TR-30-1360-AP	
				19	1510	156521 LCA-4TR-30-1510-AP	
				20.5	1660	156522 LCA-4TR-30-1660-AP	
				22.5	1810	156523 LCA-4TR-30-1810-AP	

Series	Plug connector	Resolution/ beams	Max. range	Reaction time [ms]	Protective field height [mm]	Order No./item	
LCA-4TR-30-...	Transmitter M12, 5-pin Receiver M12, 8-pin	30 mm	20 m	3	160	156524 LCA-4TR-30-160-AP	For detailed information, enter the order number for the product in the search box at www.euchner.com .
				4	310	156525 LCA-4TR-30-310-AP	
				5	460	156526 LCA-4TR-30-460-AP	
				6	610	156527 LCA-4TR-30-610-AP	
				6.5	760	156528 LCA-4TR-30-760-AP	
				7.5	910	156529 LCA-4TR-30-910-AP	
				8.5	1060	156530 LCA-4TR-30-1060-AP	
				9.5	1210	156531 LCA-4TR-30-1210-AP	
				10	1360	156532 LCA-4TR-30-1360-AP	
				11	1510	156533 LCA-4TR-30-1510-AP	
				12	1660	156534 LCA-4TR-30-1660-AP	
13	1810	156535 LCA-4TR-30-1810-AP					

Dimension drawing

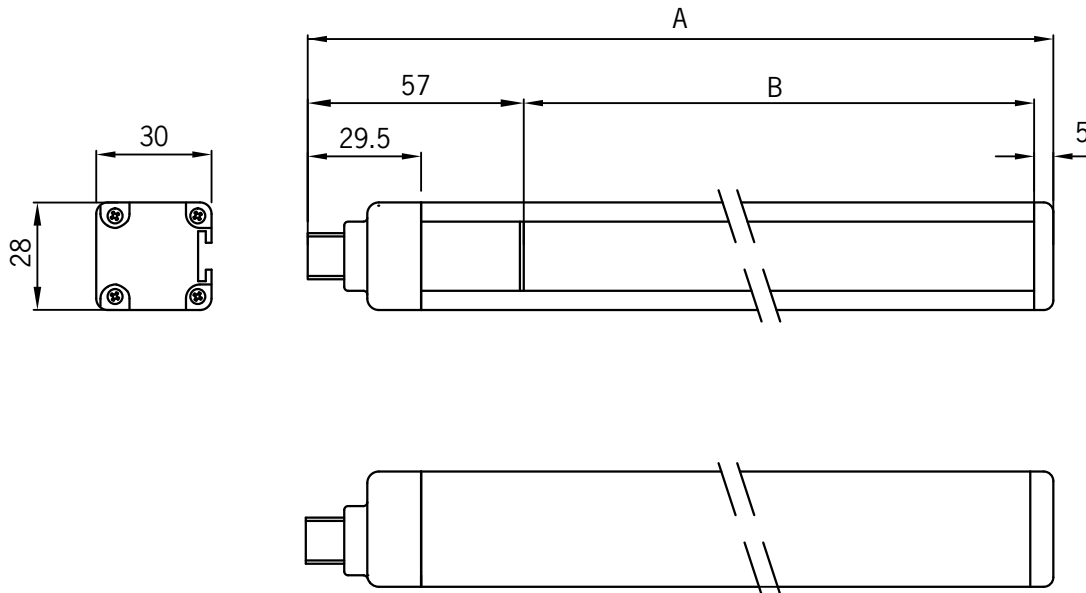


Table 8: Dimensions transmitter and receiver

Height	Model											
	160	310	460	610	760	910	1060	1210	1360	1510	1660	1810
A (Standard)	213	363	513	663	813	963	1113	1263	1413	1563	1713	1863
B*	150	300	450	600	750	900	1050	1200	1350	1500	1650	1800
Mounting	2 holders AM-OS-B-A1 with 2 inserts						3 holders AM-OS-B-A1 with 3 inserts					

B* = Distance display label to protective cap

Light curtains LCA-4TR-14-... (14 mm)



- ▶ Resolution 14 mm
- ▶ Protective function: finger protection
- ▶ Range 6 m

Details

- ▶ Degree of protection IP65 and IP67
- ▶ Two safety outputs (OSSD)
- ▶ Plug connector M12
- ▶ Profile size 28 x 30 mm

Notice

- ▶ The operation mode is dependent on the results of the risk analysis.
- ▶ **Category according to EN ISO 13849-1**
2 semiconductor outputs, p-switching, short circuit-proof, suitable for:
PL e/category 4 according to EN ISO 13849-1
Each safety path is independently safe.
- ▶ ESPE type 4 according to DIN EN 61496-1

Further information

- ▶ Dimension drawings see p. 39
- ▶ Accessories and spare parts see p. 54

Ordering table

Series	Plug connector	Resolution/ beams	Max. range	Reaction time [ms]	Protective field height [mm]	Order No./item	
LCA-4TR-14-...	Transmitter M12, 5-pin Receiver M12, 8-pin	14 mm	6 m	4	160	156500 LCA-4TR-14-160-AP	For detailed information, enter the order number for the product in the search box at www.euchner.com .
				5.5	310	156501 LCA-4TR-14-310-AP	
				7.5	460	156502 LCA-4TR-14-460-AP	
				9	610	156503 LCA-4TR-14-610-AP	
				11	760	156504 LCA-4TR-14-760-AP	
				13	910	156505 LCA-4TR-14-910-AP	
				14.5	1060	156506 LCA-4TR-14-1060-AP	
				16.5	1210	156507 LCA-4TR-14-1210-AP	
				18	1360	156508 LCA-4TR-14-1360-AP	
				20	1510	156509 LCA-4TR-14-1510-AP	
				22	1660	156510 LCA-4TR-14-1660-AP	
23.5	1810	156511 LCA-4TR-14-1810-AP					

Dimension drawing

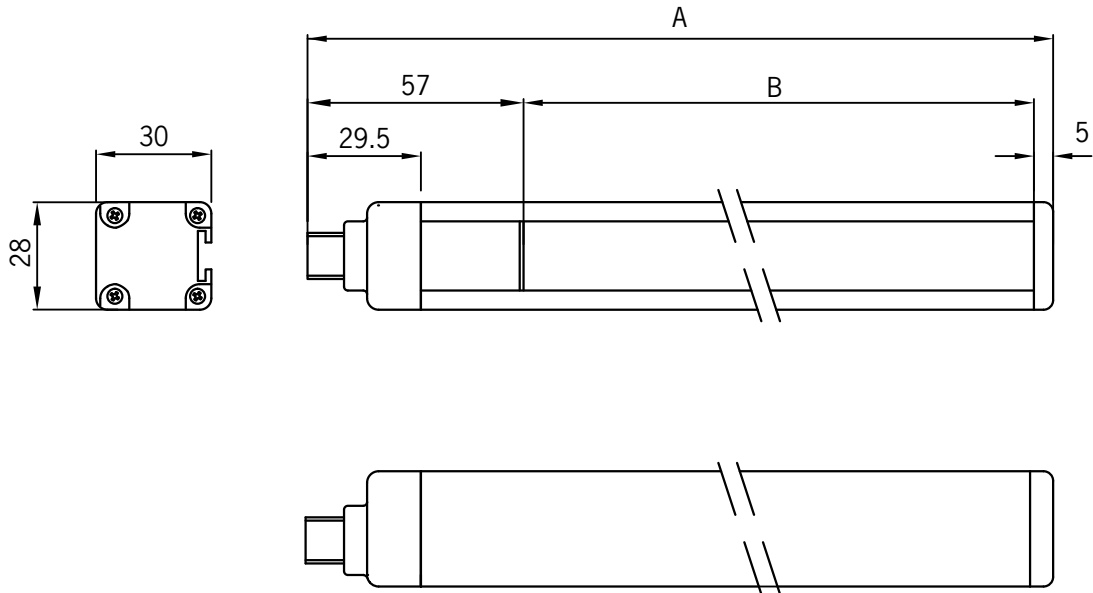


Table 9: Dimensions transmitter and receiver

Height	Model											
	160	310	460	610	760	910	1060	1210	1360	1510	1660	1810
A (Standard)	213	363	513	663	813	963	1113	1263	1413	1563	1713	1863
B*	150	300	450	600	750	900	1050	1200	1350	1500	1650	1800
Mounting	2 holders AM-OS-B-A1 with 2 inserts						3 holders AM-OS-B-A1 with 3 inserts					

B* = Distance display label to protective cap