

Actuators for safety switches SGA/SGP/STA/STP/STM

- ▶ Two stainless safety screws per actuator
- ▶ Actuators with and without rubber bush

Note

Type S actuators must not be used in conjunction with insertion funnels.

L actuators must be used for insertion funnels.

Straight actuator

Suitable for a maximum tensile force of 2500 N for STP, or 3000 N for STA.

The straight actuator is used on sliding doors or hinged doors with door radii greater than 300 mm. Safety screws prevent unscrewing of the actuator.

Bent actuator

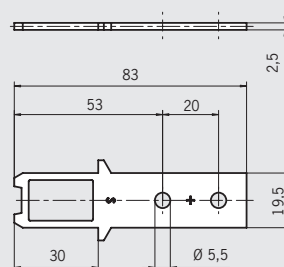
Suitable for a maximum tensile force of 1500 N

Screws made of stainless steel

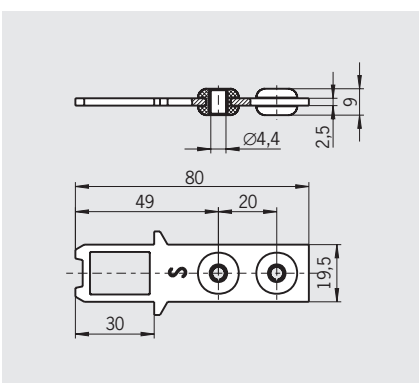
The safety screws included can be inserted with a normal tool, but cannot be removed again.

Standard actuator S, straight (Physically compatible with TP actuator P-G)
Without rubber bush, overtravel 5 mm

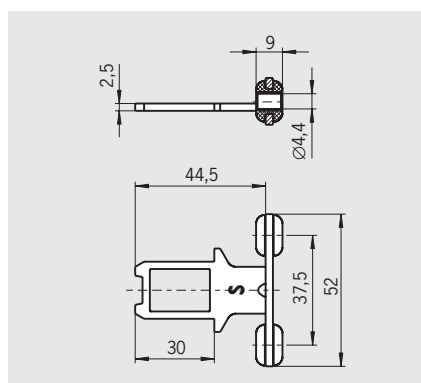
Dimension drawings



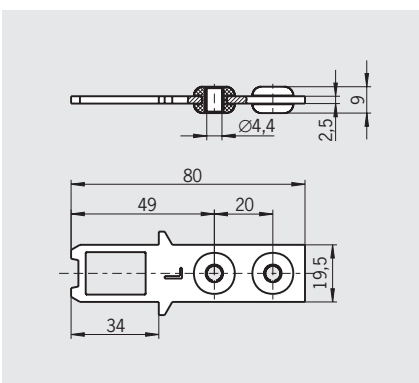
Standard actuator S, straight
With rubber bush, overtravel 5 mm



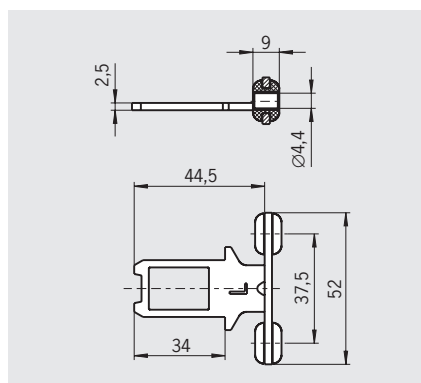
Standard actuator S, bent
With rubber bush, overtravel 5 mm



Actuator L, straight, for insertion funnel
With rubber bush, overtravel 5 mm



Actuator L, bent, for insertion funnel
With rubber bush, overtravel 5 mm



Ordering table

Designation	Version	Min. door radius r [mm]	Packaging unit	Order no.
Actuator S Straight	S-G-SN-C2115 Without rubber bush, overtravel 5 mm incl. 2 safety screws M5 x 10	300	1 ea.	097861 ACTUATOR S-G-SN-C2115
	S-GT-SN With rubber bush, overtravel 5 mm incl. 2 safety screws M4 x 14	300	1 ea.	095738 ACTUATOR S-GT-SN
Actuator S Angled	S-WQ-SN Without rubber bush, overtravel 5 mm incl. 2 safety screws M4 x 14	300	1 ea.	095740 ACTUATOR S-WQ-SN
Actuator L Straight	S-GT-LN With rubber bush, overtravel 5 mm incl. 2 safety screws M4 x 14	300	1 ea.	095739 ACTUATOR S-GT-LN
Actuator L Angled	S-WQ-LN With rubber bush, overtravel 5 mm incl. 2 safety screws M4 x 14	300	1 ea.	095741 ACTUATOR S-WQ-LN

Hinged actuators for safety switches SGA/SGP/STA/STP/STM

- ▶ Actuators made of stainless steel
- ▶ Two stainless safety screws per actuator
- ▶ For top and bottom hinged doors
- ▶ For right and left hinged doors

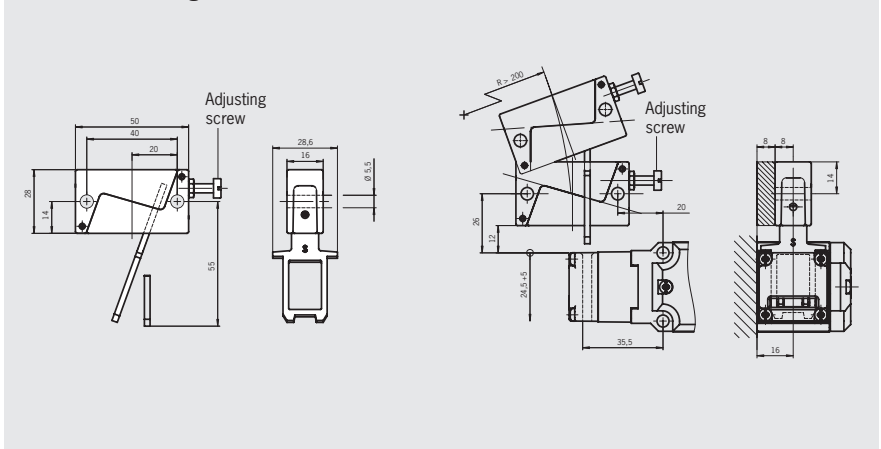
Hinged actuator

For door radii less than 1000 mm a hinged actuator should be used. The spring action movement of the actuator prevents damage due to the actuator jamming in the actuating head. Depending on the movement of the safety guard, the actuator must be selected for left/right or top/bottom.

Hinged actuator S-OU-SN

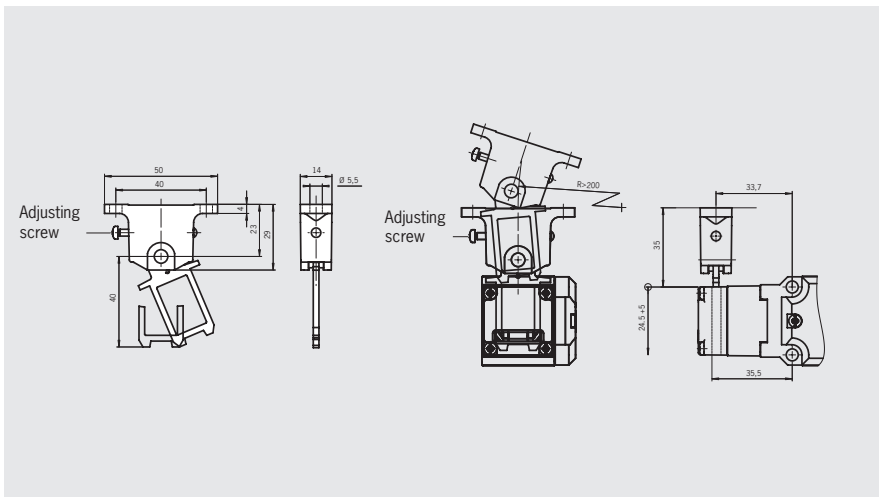
Safety guard hinged at top/bottom, overtravel 5 mm

Dimension drawings



Hinged actuator S-LR-SN

Safety guard hinged on left/right, overtravel 5 mm



Ordering table

Designation	Version	Min. door radius r [mm]	Packaging unit	Order no.
Hinged actuator	S-OU-SN For top and bottom hinged doors overtravel 5 mm incl. 2 safety screws M5 x 25	200	1 ea.	095315 HINGED ACTUATOR-S-OU-SN
	S-LR-SN For left and right hinged doors overtravel 5 mm incl. 2 safety screws M5 x 10	200	1 ea.	096838 HINGED ACTUATOR-S-LR-SN

For safety precautions see page 149
 For technical data see page 117

Hinged actuators for safety switches SGA/SGP/STA/STP/STM

- ▶ Actuators made of stainless steel
- ▶ Two stainless safety screws per actuator
- ▶ For top and bottom hinged doors
- ▶ For right and left hinged doors

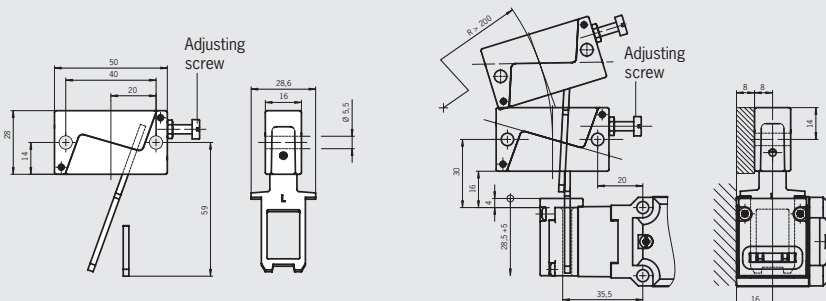
Hinged actuator

For door radii less than 1000 mm a hinged actuator should be used. The spring action movement of the actuator prevents damage due to the actuator jamming in the actuating head. Depending on the movement of the safety guard, the actuator must be selected for left/right or top/bottom.

Hinged actuator S-OU-LN for insertion funnel

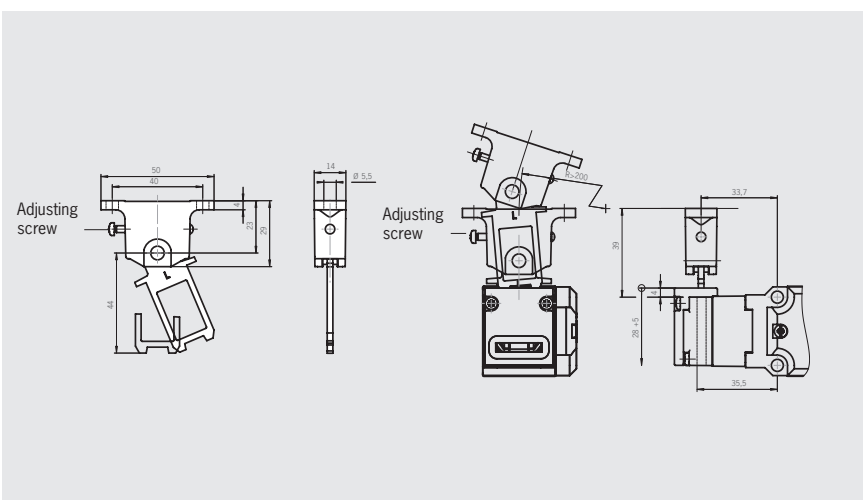
Safety guard hinged at top/bottom, overtravel 5 mm

Dimension drawings



Hinged actuator S-LR-LN for insertion funnel

Safety guard hinged on left/right, overtravel 5 mm



Ordering table

Designation	Version	Min. door radius r [mm]	Packaging unit	Order no.
Hinged actuator	S-OU-LN For top and bottom hinged doors overtravel 5 mm incl. 2 safety screws M5 x 25	200	1 ea.	096697 HINGED ACTUATOR-S-OU-LN
	S-LR-LN For left and right hinged doors overtravel 5 mm incl. 2 safety screws M5 x 10	200	1 ea.	096844 HINGED ACTUATOR-S-LR-LN